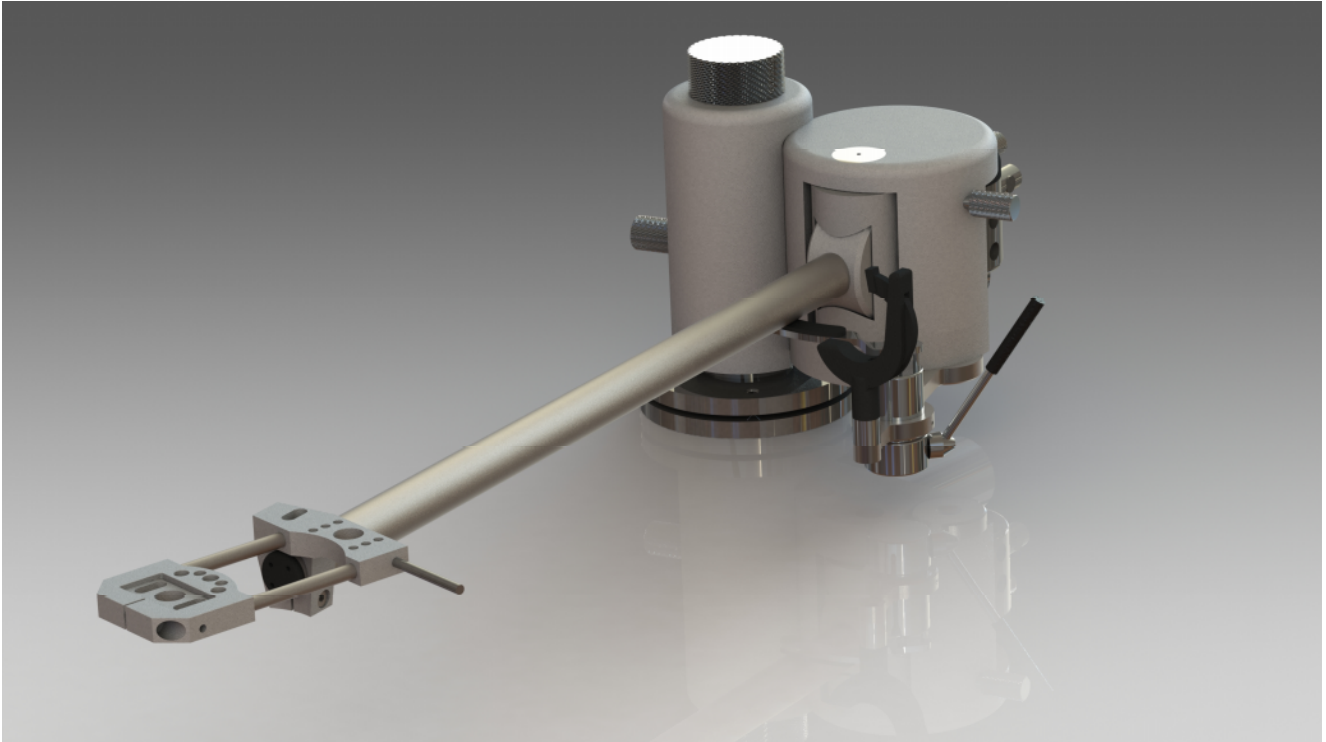


Introducing the NEW 10" reference tonearm - *The AQUILAR*



*The AQUILAR* - features:

- VTA on-the-fly
- 10" effective length
- Very easy and swift set up
- comes w/ special 3D-alignment template
- Non-touch magnetic Anti-skating - on-the-fly!
- Inner wiring is fine 5N pure soft silver litz wire
- Dynamic anti skating following the tangential curve
- Unique acoustical-systems titanium/carbon-hybrid arm wand
- User can select static or dynamic balance mode and combination of both
- Adjustable SRA, VTA, Azimuth, Overhang and Offset angle - all at the headshell!
- Design based on unique UNI-DIN geometry - *available only in AXIOM and AQUILAR*
- Available with direct-to-phono 1.2 m length phono-lead or DIN 5-pole

- Available in 2 fine finishes:

Black satin matt and

Ceramic-alloy silver matt

- Available in 2 mounting versions:

With flat top mount plate (same as Tri-Planar, Jellico or DaVinci) or

Drop-in replacement for standard SME-mounting plate

